

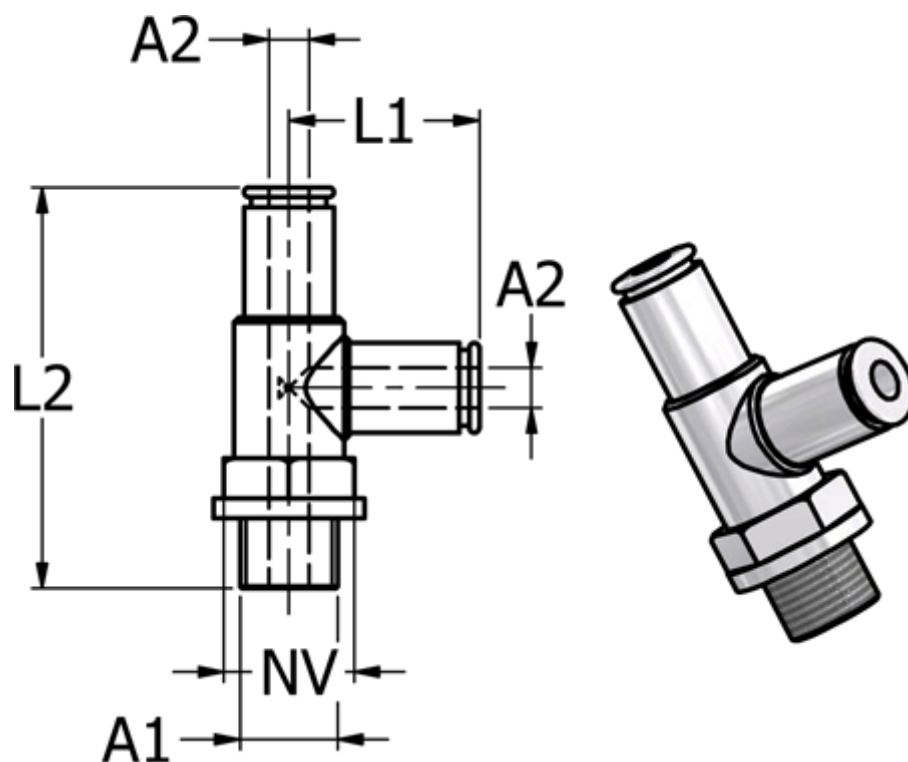
Data Sheet



Article number: 5868620184

Description: Metal Push-in fitting 862.018-4, Ø4 / Ø4 / G 1/8"
Tee with FPM O-ring

Measures



Ext. hose diameter A2	= 4
L1	= 17.5
L2	= 36
NV	= 13
Thread A1	= G 1/8"